



Ⓜ Model 412A/AR Vacuum Tube Voltmeter
REPLACEABLE PARTS FOR VOLTAGE PROBE ASSEMBLY

The Hewlett-Packard Model 412A/AR Vacuum Tube Voltmeter voltage probe assembly has been redesigned because some of the probe parts have become obsolete and are no longer available.

The new voltage probe assembly can be used as a replacement on all Ⓜ Model 412A's; installation instructions are given in Section I. Replaceable parts for voltage probe assemblies, Ⓜ Part No's 412A-21A, 412A-21D and 412A-21G, are identified in Section II.

I. INSTALLATION INSTRUCTIONS.

A. Serials 134-07482 and below: Voltage Probe Assembly, Ⓜ Part No. 00412-62101, is an overall replacement for the 412A-21A Voltage Probe. The cable should be cemented to the cable boot to relieve the stress on the input solder connections. A pair of plastic grip rings can also be installed to reduce the effects of excess stress on the input connection. This

modification is available in kit form, Ⓜ Part No. 00412-69501, and can be purchased from your local Ⓜ Sales and Service Office. Individually replaceable parts for both the old and the new probes are identified in Section II.

B. Serials 301-07483 through 316-10282: Voltage Probe Assembly, Ⓜ Part No. 412A-21G, is a direct overall replacement for the 412A-21D Voltage Probe. Individually replaceable parts are identified in Section II.

C. Beginning with Serials 424-10283, Ⓜ Part No. 412A-21G is used as the original Voltage Probe Assembly; see Section II for replacement parts.

II. REPLACEABLE PARTS FOR PROBE ASSEMBLIES.

NOTE

The item numbers in Table 1 refer to Figures 1a and 1b. Former Ⓜ Part No's are listed in parentheses after part description.

Table 1a. Replaceable Parts for Voltage Probe Assembly,
 Ⓜ Part No's 412A-21A and 412A-21D (see Figure 1a)

<u>Item</u>	<u>Description</u>	<u>Ⓜ Part No.</u>
1 - 8	Complete Probe Assembly (412A-21A)	replaced by 00412-62101
1 - 7	Probe Cable Assembly less cable boot (412A-21D) . . .	replaced by 412A-21G
2 - 8	Probe Assembly less Jaw Assembly	replaced by 00412-62103
1	Jaw and Sleeve Assembly	5060-0416
2	Inner Sleeve Assembly including R48 (412A-21A-95A) . .	replaced by 00412-62103
3	Inner Shield Assembly (412A-21A-95B).	replaced by 00412-62103
4	Locknut.	5040-0407
5	#4 Allen setscrew (two required)	3030-0051
6	Handle	5040-0405
7	Probe Cable (412A-21A-1 or 412A-21D-1)	replaced by 00412-62103
8	Cable Boot	412A-83A

distribution: abcfg,p

12/64-9

**COMPLETE COVERAGE IN
 ELECTRONIC MEASURING EQUIPMENT**

HEWLETT-PACKARD COMPANY
 1501 PAGE MILL ROAD
 PALO ALTO, CALIFORNIA, U.S.A.
 CABLE: "HEWPACK" TEL: (415) 326-7000

SA ROUTE DES ACACIAS
 GENEVA, SWITZERLAND
 CABLE: "HEWPACKSA" TEL: (022) 733.11.11



Table 1b. Replaceable Parts for Voltage Probe Assembly,
 Ⓢ Part No. 00412-62101 (see Figure 1b)

<u>Item</u>	<u>Description</u>	<u>Ⓢ Part No.</u>
9 - 15	Complete Probe Assembly.	00412-62101
9 - 14	Probe Assembly less cable boot	412A-21G
10 - 15	Probe Assembly less Jaw Assembly	00412-62103
9	Jaw and Sleeve Assembly	5060-0416
10	Probe Sleeve Assembly (includes cable and R48)	00412-62102
11	Ground body	5020-0648
12	Locknut	5040-0407
13	#4 Allen setscrew (two required)	3030-0051
14	Handle	5040-0405
15	Cable Boot	412A-83A

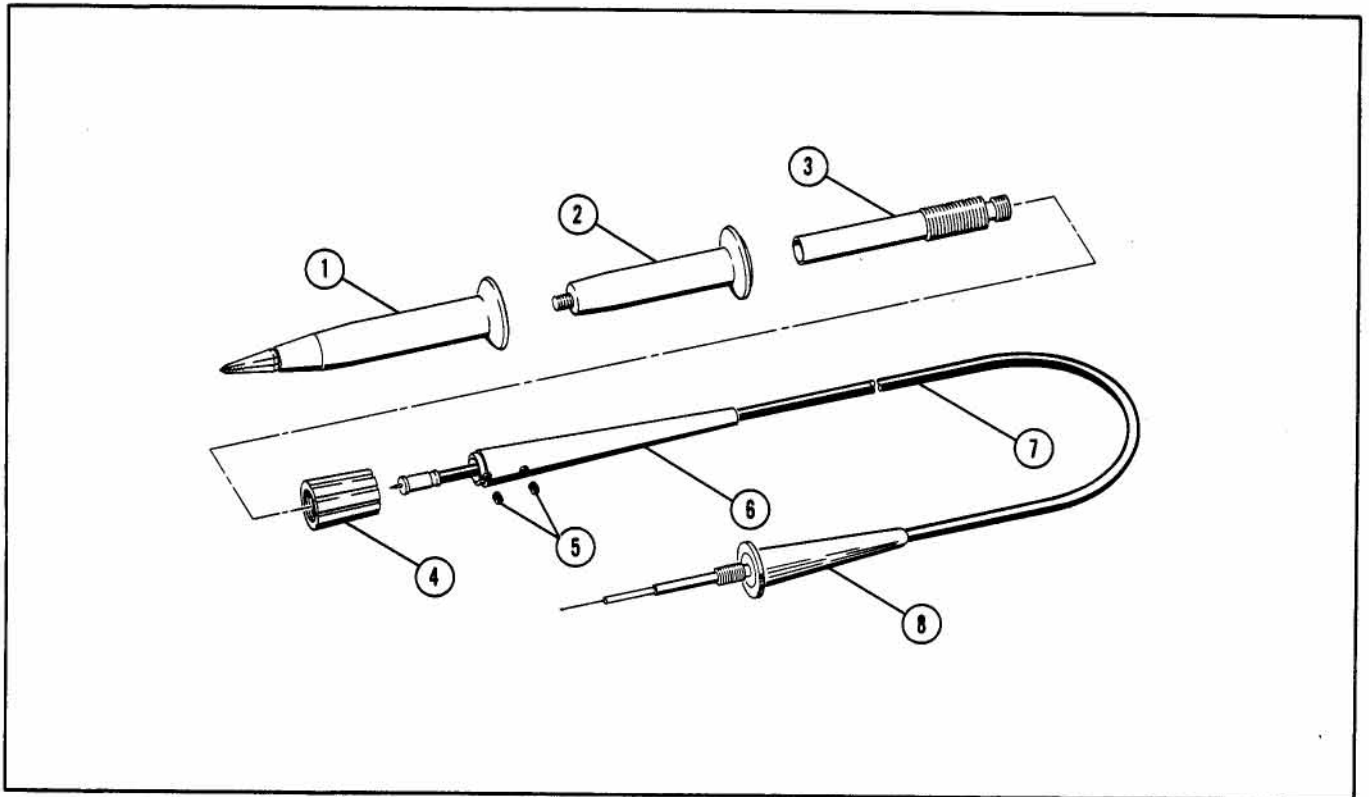


Figure 1a. Voltage Probe Assembly, Ⓢ Part No. 's 412A-21D or 412A-21A
(412A-21D does not include item 8)

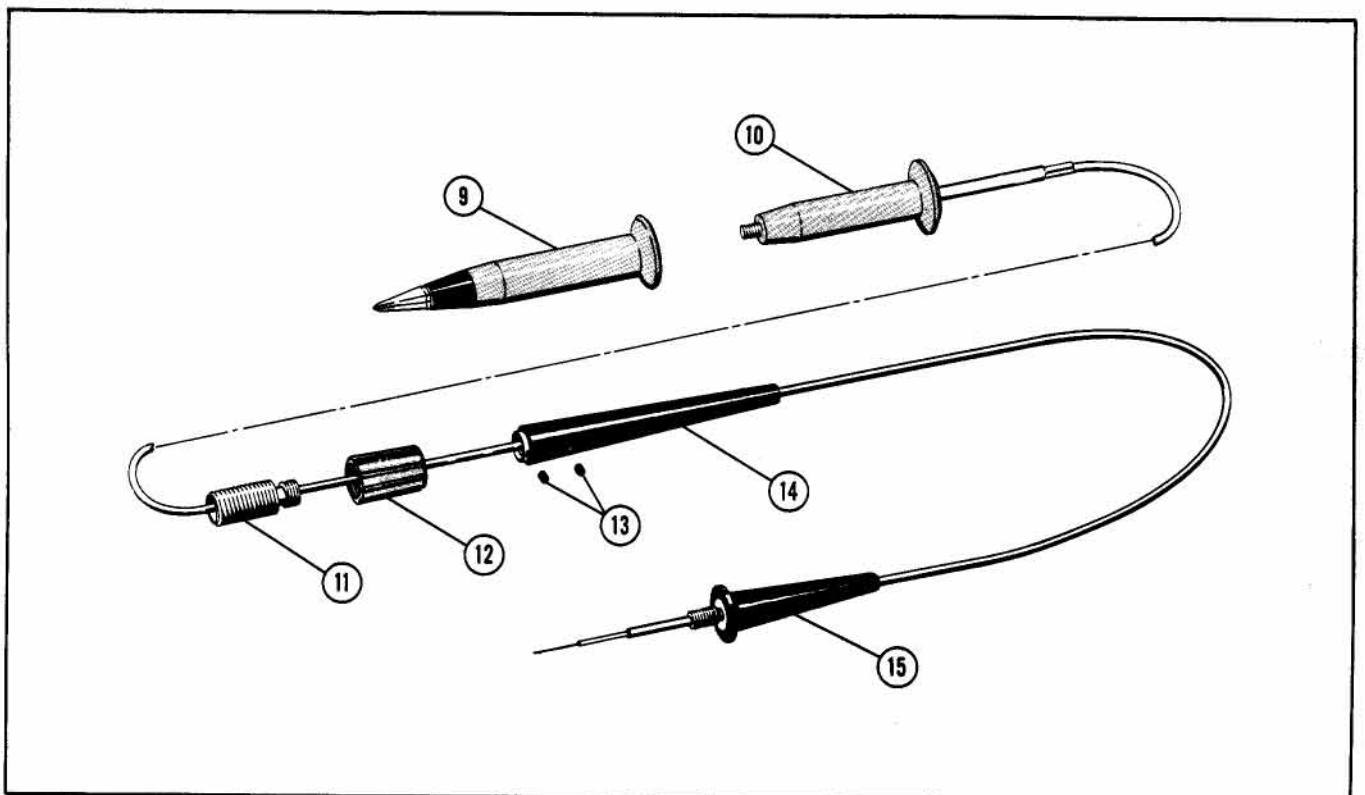


Figure 1b. Voltage Probe Assembly, Ⓢ Part No. 's 412A-21G or 00412-62101
(412A-21G does not include item 15)